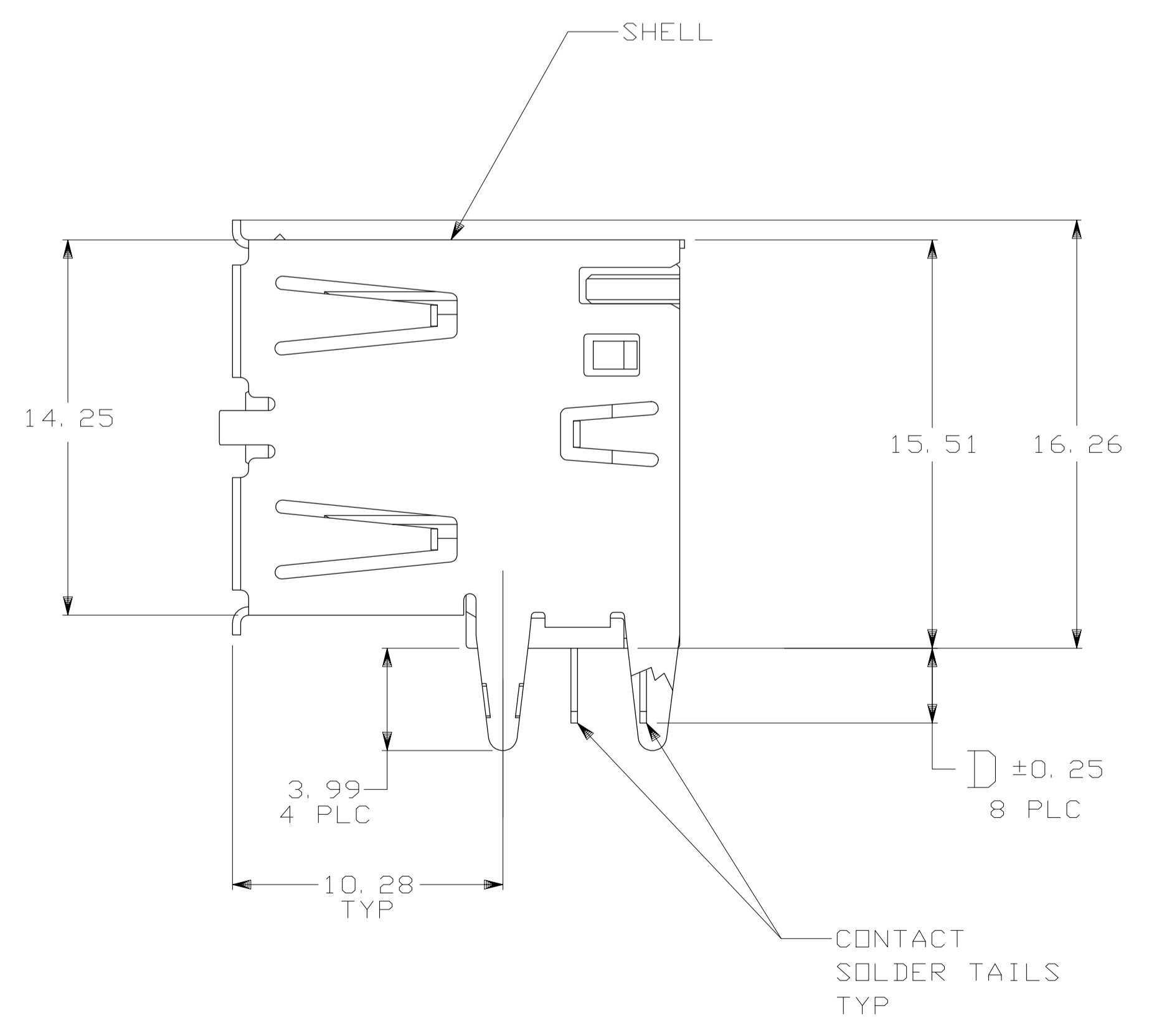
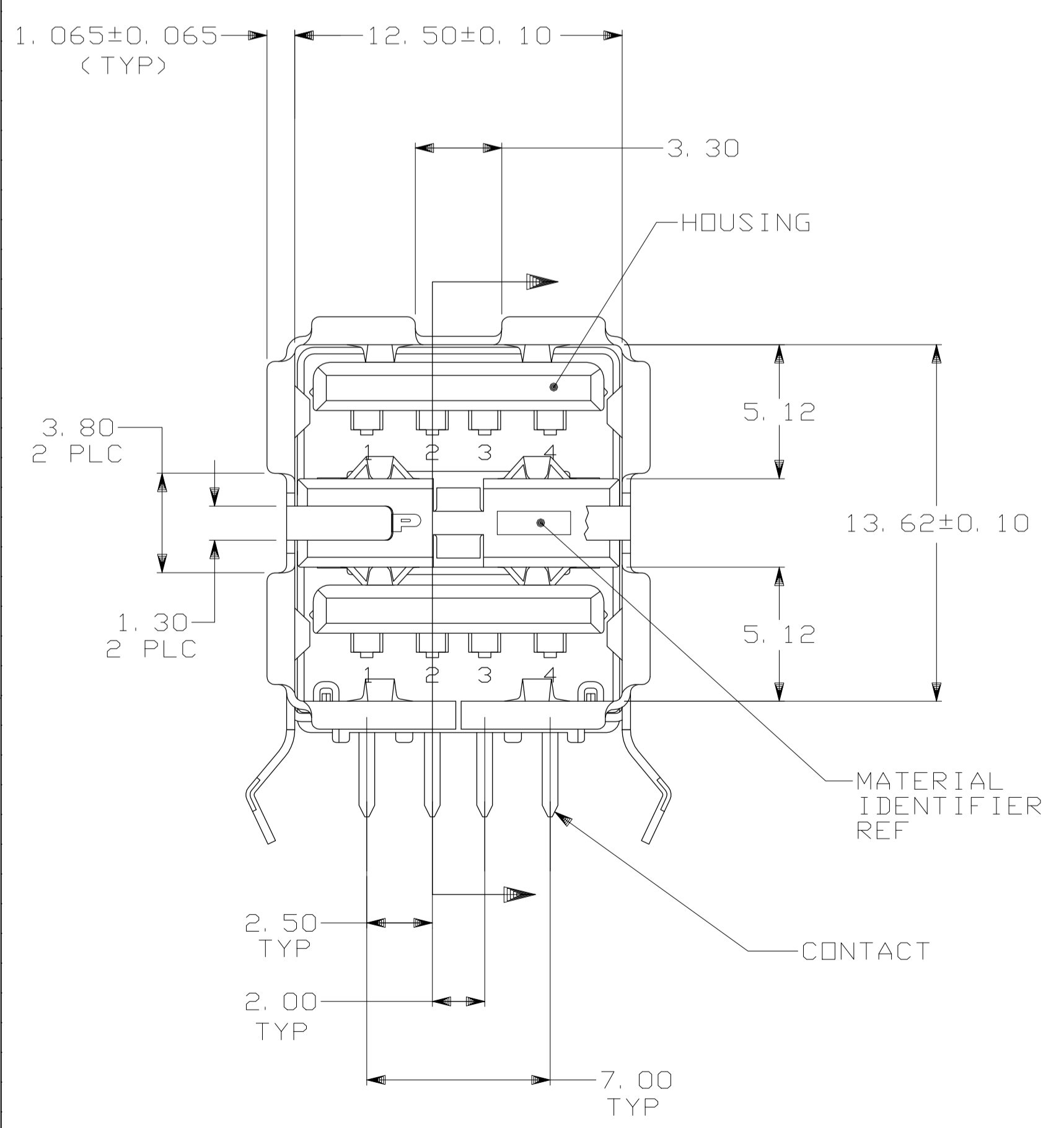
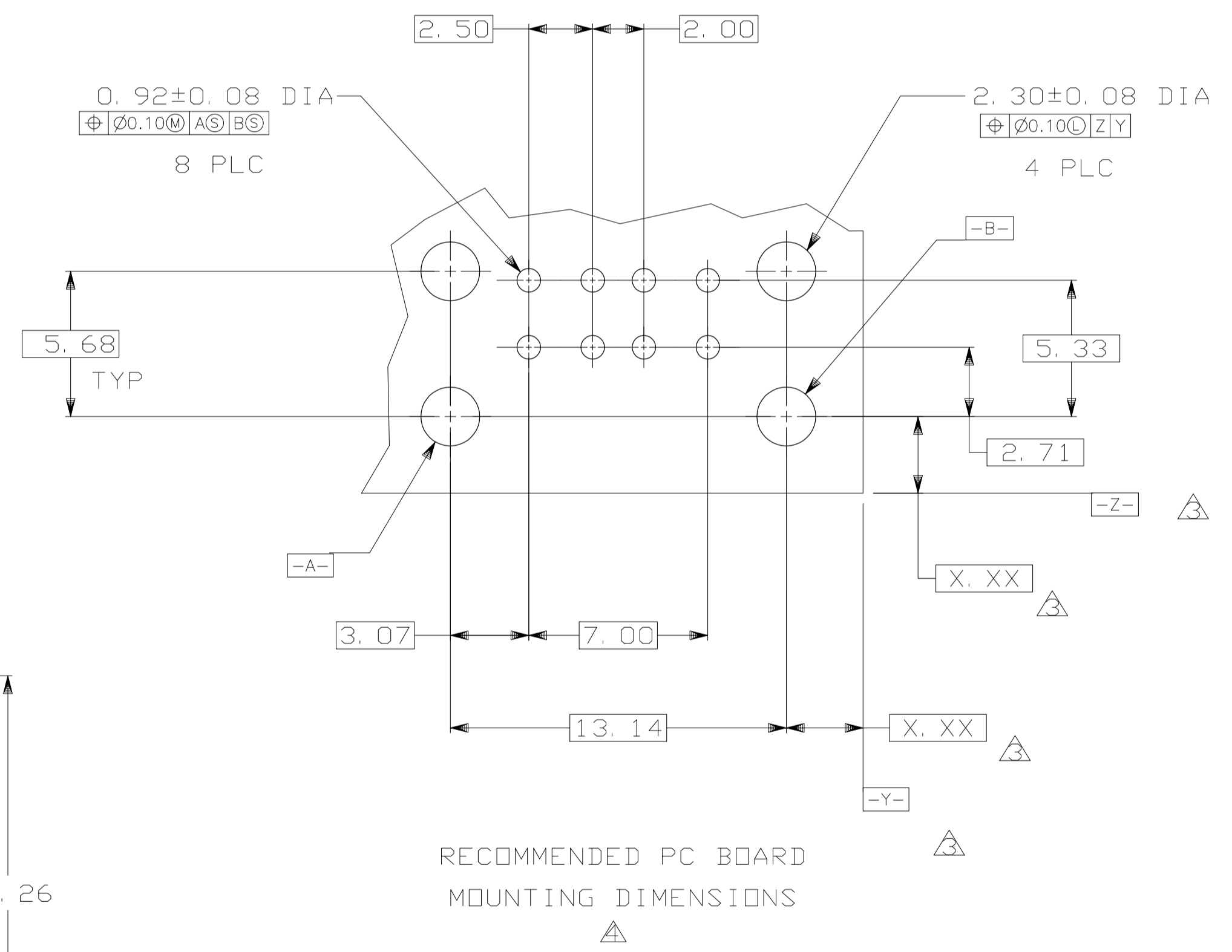


LEAD FREE



- ⚠ MATERIAL:
SHELL & CONTACTS- COPPER ALLOY.
HOUSING- UL 94V-0 RATED, THERMOPLASTIC, SEE TABLE.
- ⚠ PLATING:
CONTACTS- 0.076 MICROMETERS MINIMUM GOLD OVER 0.76 MICROMETERS MINIMUM PALLADIUM-NICKEL ON MATING AREA. OR CONTACT ALTRENATE PLATING 0.76 MICROMETERS MINIMUM GOLD ON MATING AREA.
3.80 MICROMETERS MINIMUM TIN ON SOLDER TAILS.
BOTH OVER 1.27 MICROMETERS MINIMUM NICKEL.
SHELL: 2~5µm THICK TIN
- ⚠ DATUM AND BASIC DIMENSIONS ESTABLISHED BY CUSTOMER.
- ⚠ RECOMMENDED PC BOARD THICKNESS OF 1.57.



YES	2.29±0.25	BLACK	5787745-5
YES	2.84±0.25	BLACK	5787745-4
NO	2.84±0.25	NATURAL	5787745-3
NO	2.29±0.25	BLACK	5787745-2
NO	2.84±0.25	BLACK	5787745-1
HIGH TEMPERATURE COMPATIBLE	D	HOUSING COLOR	PART NUMBER

THIS DRAWING IS A CONTROLLED DOCUMENT.		DIN	26OCT2004	STE TE Connectivity
DIMENSIONS: mm		LEO ZHOU	26OCT2004	
TOLERANCES UNLESS OTHERWISE SPECIFIED:		CHK	26OCT2004	RECEPTACLE ASSEMBLY, RIGHT ANGLE, STACKED, THRU-HOLE, USB
0 PLC ± -		STEVEN YAO	26OCT2004	
1 PLC ± 0.35		APVD	26OCT2004	APPLICATION SPEC
2 PLC ± 0.25		NAME	LENOMOTO	
3 PLC ± 0.15		SIZE	A1	SCALE 1:1 SHEET 1 OF 1 REV A2
4 PLC ± - 3°		WEIGHT	00779	
MATERIAL - FINISH -		CUSTOMER DRAWING	5787745	